

Round or Square Type Non-IC and Chicago Plenum Adjustable Housing with Halogen Lamp

E3_-HAN_ 1.0

VISUAL COMFORT & Co.

ARCHITECTURAL COLLECTION

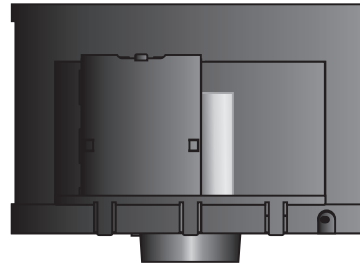
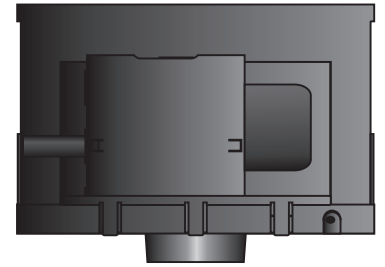
GENERAL PRODUCT INFORMATION:

Versions with a toroidal transformer may be dimmed with a low-voltage magnetic dimmer.

Versions with an electronic transformer may be dimmed with a standard electronic dimmer.

This instruction shows a typical installation.

SAVE THESE INSTRUCTIONS!

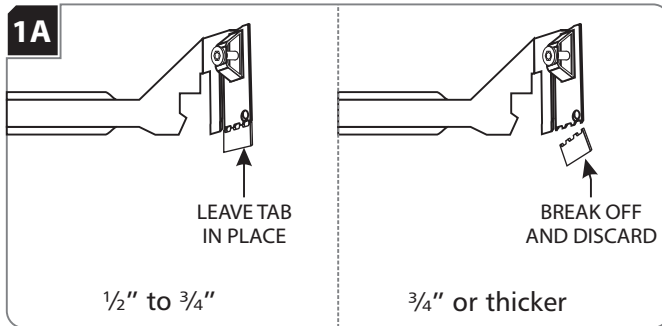


CAUTION - RISK OF FIRE

This product must be installed in accordance with the applicable installation code by a person familiar with the construction and operation of the product and the hazards involved.

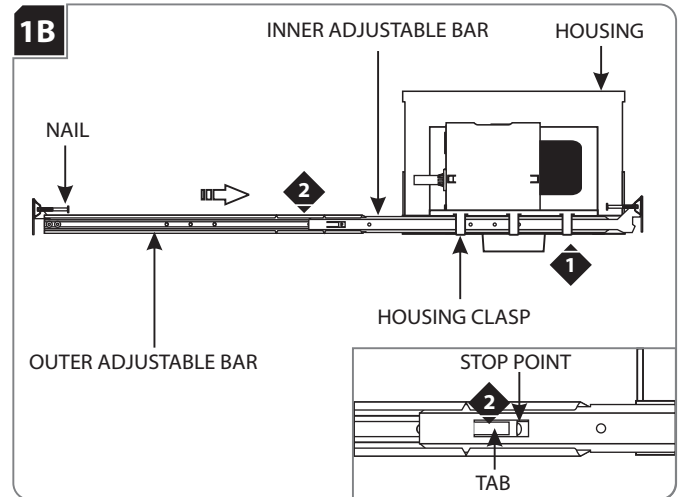
Use minimum 90°C supply conductors.

Install the Housing with Adjustable Bars

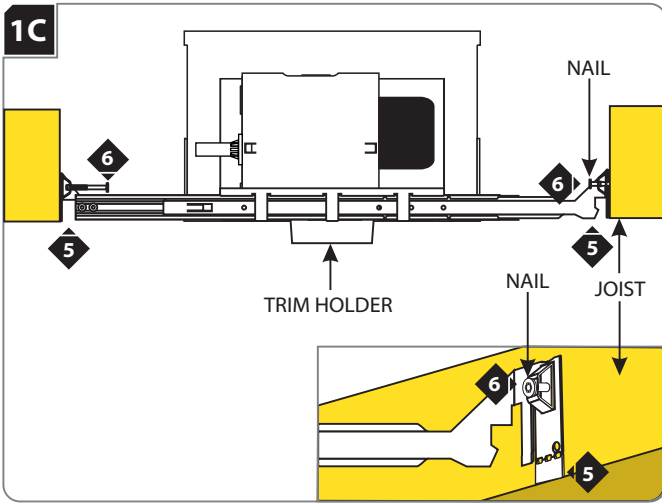


NOTE: Skip this section if installing the housing with butterfly brackets.

- 1 **Keep Tab for ceiling 1/2" to 3/4" thick.**
When using adjustable hanger bars with 1/2" to 3/4" thick ceilings, leave the tab of the hanger bars in place.
Break off Tab for ceiling 3/4" or thicker.
When using adjustable hanger bars with 3/4" or thicker ceilings, remove the tab by bending it at the perforation.

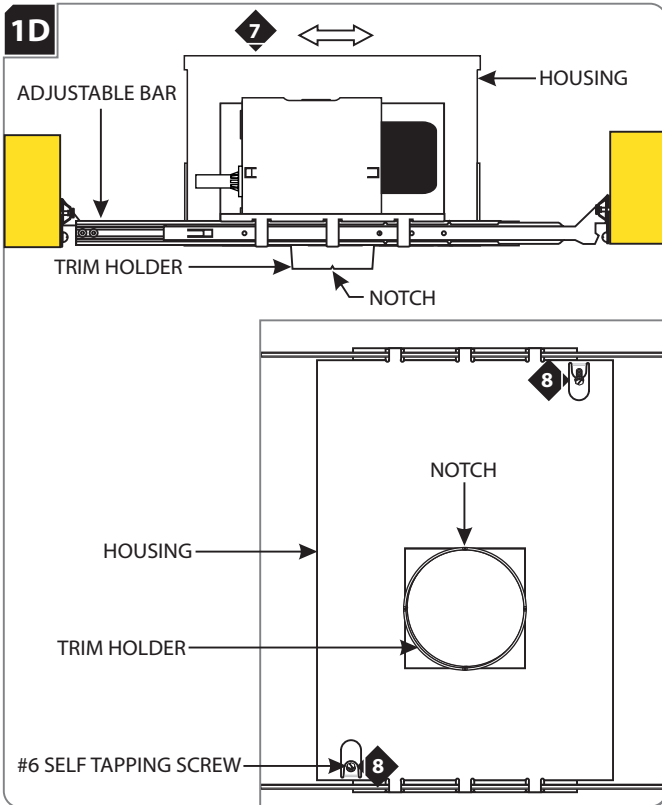


- 2 Slide the inner adjustable bar completely through the three housing clasps. Make sure the nail is on top.
- 3 Slide and push the outer adjustable bar completely onto the inner adjustable bar so that the tab clicks into place behind the stop point. This will prevent the adjustable bars from coming apart.
- 4 Repeat steps 2 & 3 for the other side of the housing.



NOTE: The adjustable bars can be mounted to joists that are spaced 16" - 24" apart.

- 5 Align the bottom of the end plates with the bottom of the ceiling joists.
- 6 Level the adjustable bars and, with a hammer, tap the nails completely into the joists to secure the adjustable bars in place.

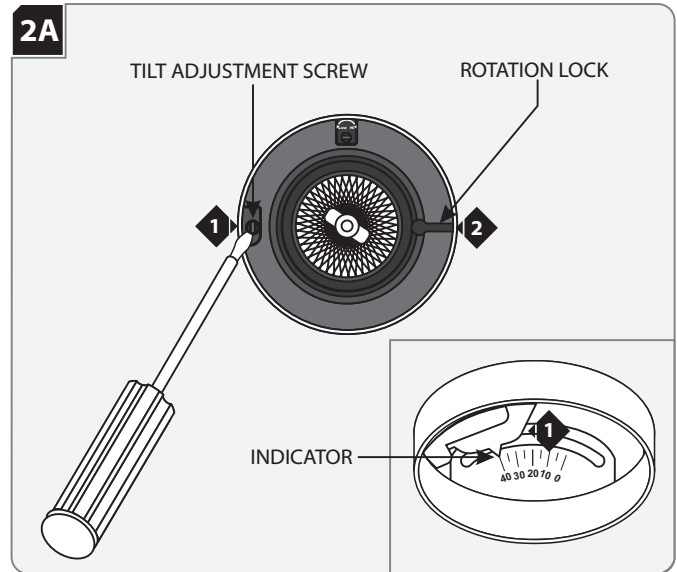


- 7 Adjust the trim holder position (horizontal position) by sliding the housing on adjustable bars.
- 8 When the desired location is achieved, tighten the two #6 self tapping screws to lock the housing onto the adjustable bars.

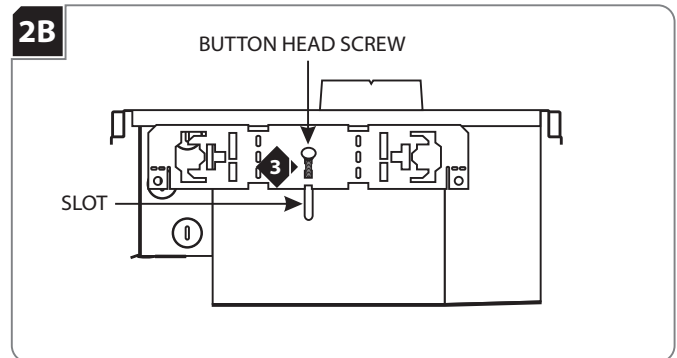
NOTE: Notches in trim holder can be used to align multiple housings using a laser or string.

Install the Housing with Butterfly Brackets (Non-IC Housing)

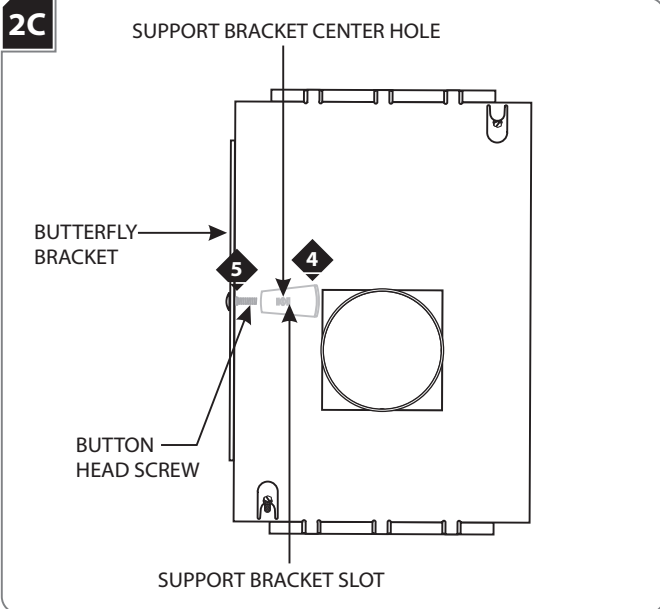
NOTE: Skip this section if installing the housing with adjustable bars.



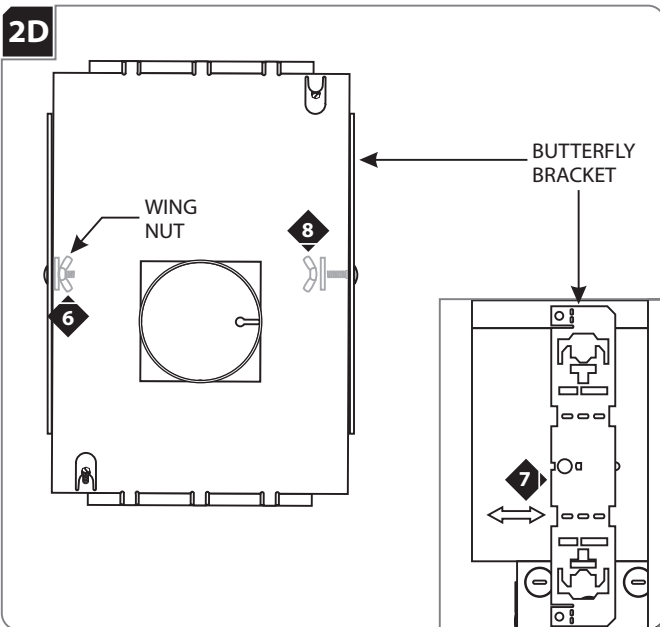
- 1 The lamp housing must be adjusted out of the way in order to install the butterfly brackets: tilt the lamp housing to the maximum angle by rotating the tilt adjustment screw.
- 2 If necessary, pull the rotation lock down to rotate the lamp housing out of the way.



- 3 Place the button head screw through the square cut out of the butterfly bracket into the housing slot.



- 4 Place the support bracket center hole onto the button head screw.
- 5 Push the support bracket slots against the butterfly bracket tabs.

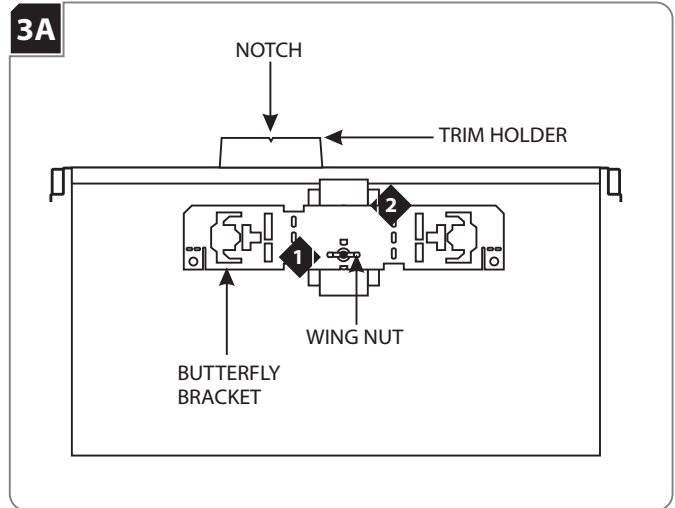


- 6 Attach the wing nut loosely to the button head screw.
- 7 Slide the butterfly bracket up or down to achieve the proper location. Tighten the wing nut to secure the butterfly bracket in place.
- 8 Repeat steps 3-7 for the other butterfly bracket.
- 9 Readjust the lamp housing tilt to 0° (reversal of step 1).
- 10 Use the butterfly brackets to install the housing in accordance with local building and electrical codes.

NOTE: Notches in trim holder can be used to align multiple housings using a laser or string.

Install the Housing with Butterfly Brackets (Chicago Plenum Housing)

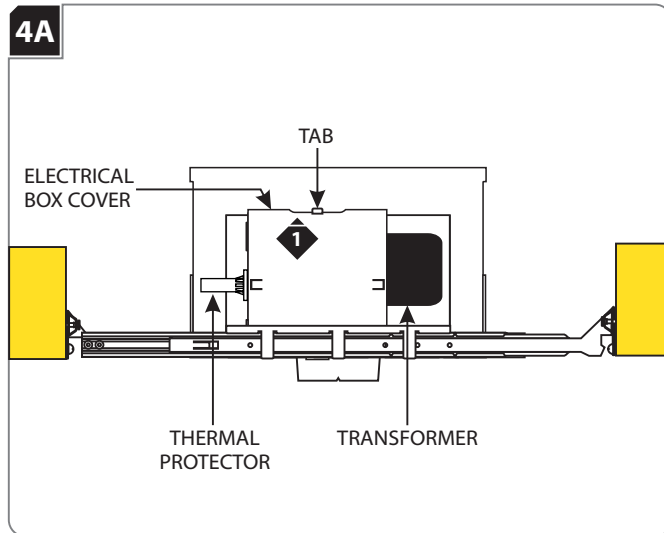
NOTE: Skip this section if installing the housing with adjustable bars.



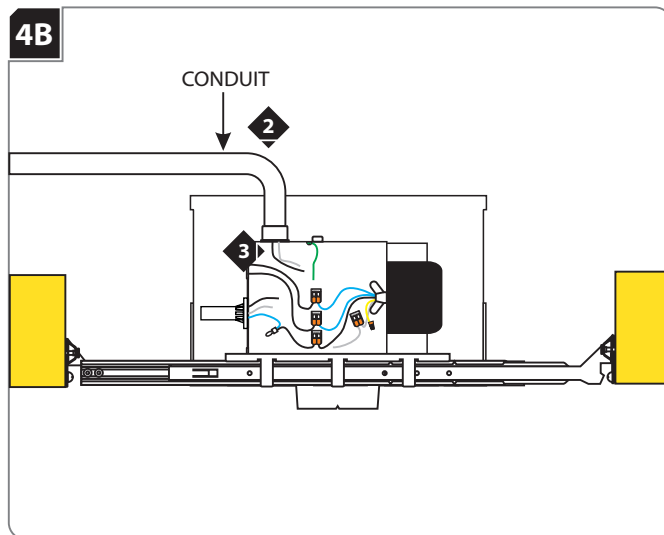
- 1 Slightly loosen the wing nut to slide the butterfly bracket up or down.
- 2 After achieving the proper location, tighten the wing nut to secure the butterfly bracket in place.
- 3 Repeat steps 1 and 2 on for the other butterfly bracket.
- 4 Utilize the butterfly brackets to install the housing in accordance with local electrical codes.

NOTE: Notches in trim holder can be used to align multiple housings using a laser or string.

Connect Power to the Housing



- 1 Push the tab on the housing electrical box up and remove the electrical box cover.



- 2 Install the conduit to the housing electrical box.
- 3 Run the power line wires into the housing electrical box.

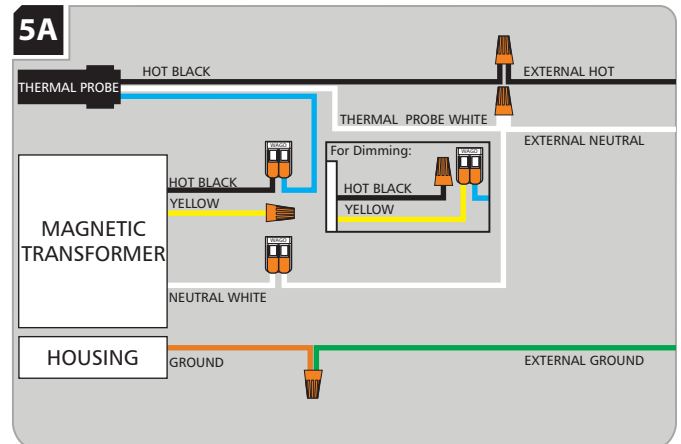
NOTE: When a fixture is installed in a location that requires servicing from below the ceiling through the fixture aperture, the branch circuit connections need to be able to be brought out through the aperture. To accomplish this, an NM type cable in conjunction with snap-in/push-in connectors must be used and a 12" service loop must be left available outside of the fixture housing wiring compartment to allow additional branch circuit wiring to be pulled through the snap-in/push-in connector and extended out through the aperture below ceiling level.

WARNING: RISK OF FIRE: When using the housing electrical box for power feed through, use **MAX** 4 - #12 AWG, or 6 - #14 AWG branch circuit wires.

Toroidal Transformer - Go to Section 5

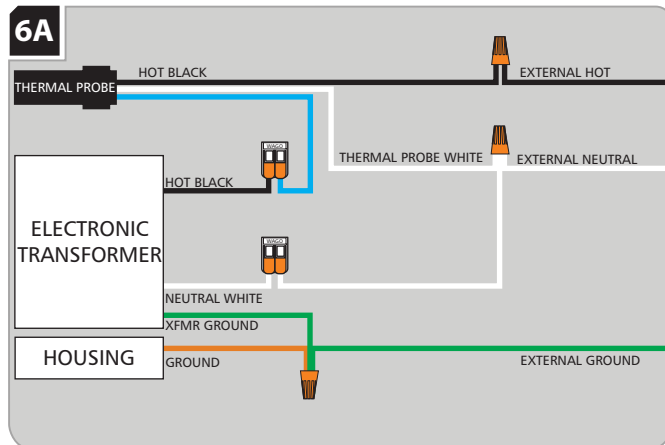
Electronic Transformer - Go to Section 6

Wire the Fixture (Toroidal Transformer)

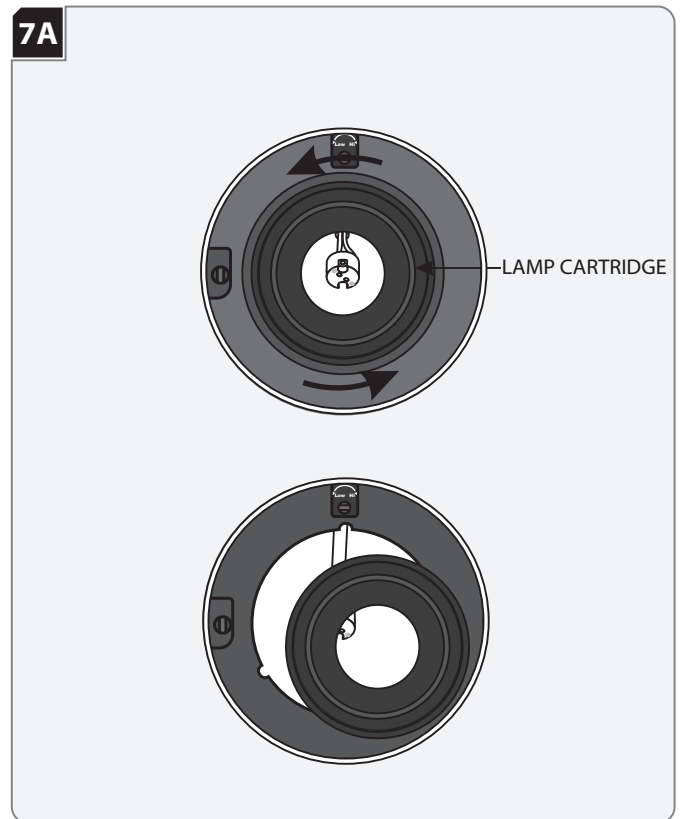


- 1 Connect the neutral power line wire to the white transformer wire and the white thermal probe with a wire nut.
- 2 Connect the black thermal protector wire to the hot power line wire with a wire nut.
- 3 Make sure that the housing is grounded in accordance with local electrical codes.
- 4 **If using a dimmer:** Disconnect the black transformer wire from the wire connector connected with the black thermal protector wire. Connect the yellow transformer wire to the wire connector connected to the black thermal protector wire. **If necessary, make sure to cap the black transformer wire.**
- 5 Replace the electrical box cover. Make sure that the top edge of the cover snaps under the tabs.

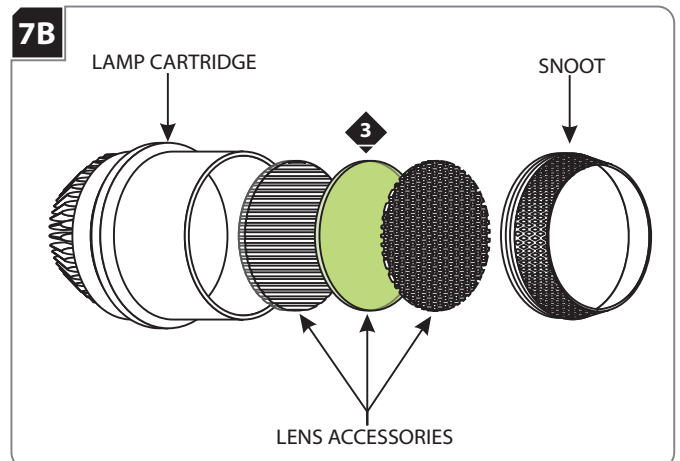
Wire the Fixture (Electronic Transformer) Install the Lamp & Lens Accessories



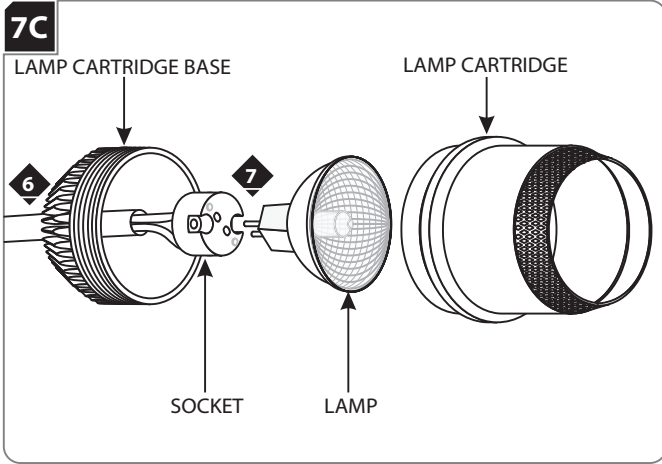
- 4 Connect the neutral power line wire to the white transformer wire and the white thermal probe wire with the wire nut.
- 5 Connect the hot power line wire to the black thermal probe wire with the wire nut.
- 6 Connect the fixture ground wire and the green transformer wire to a suitable ground according to local electrical codes.



- 1 To release the lamp cartridge, rotate it counter clockwise and gently pull out the assembly.



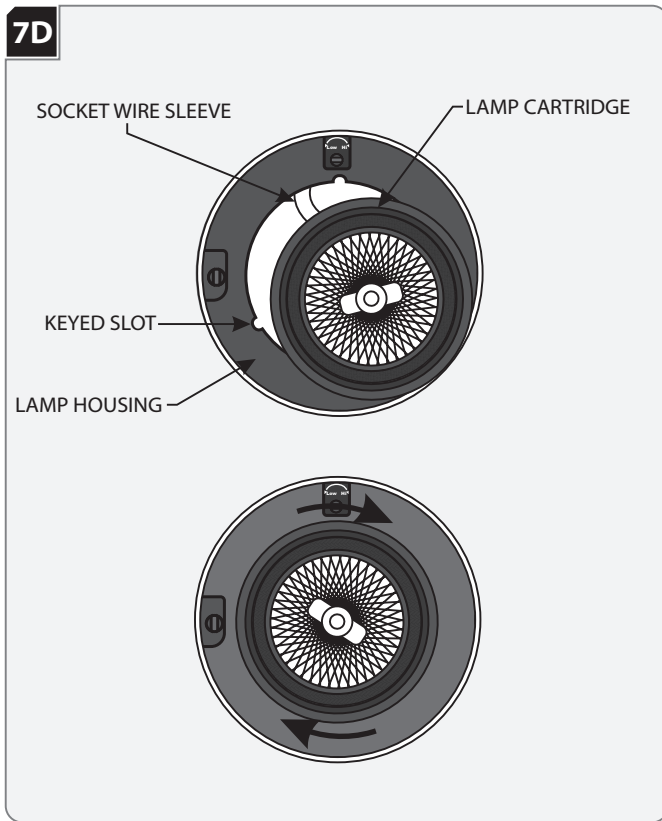
- 2 To install a lens accessory (optional), unscrew the snoot from the lamp cartridge.
- 3 Place a maximum of three accessories into the lamp cartridge.
- 4 Replace and tighten the snoot completely to the lamp cartridge.



Use **MAX 50 Watt** Type MR16 Halogen Lamp.

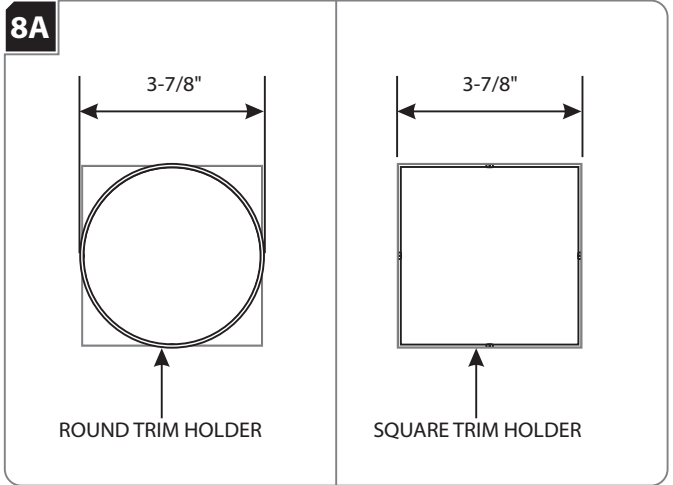


- 5 Unscrew the lamp cartridge base from the lamp cartridge.
- 6 Pull out the socket from the lamp housing and feed it through the lamp base.
- 7 Push the lamp pins completely into the socket holes.
- 8 Place the lamp into the lamp cartridge and reinstall the lamp cartridge base and firmly tighten.

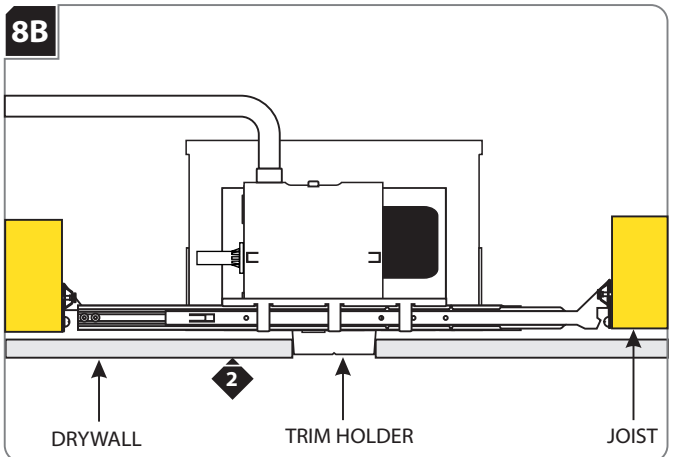


- 9 Feed the socket wire sleeve back into the lamp housing and align the lamp assembly with the keyed slots on the lamp housing.
- 10 Place the lamp assembly into the lamp housing and rotate it until it locks into place.

Install the Drywall



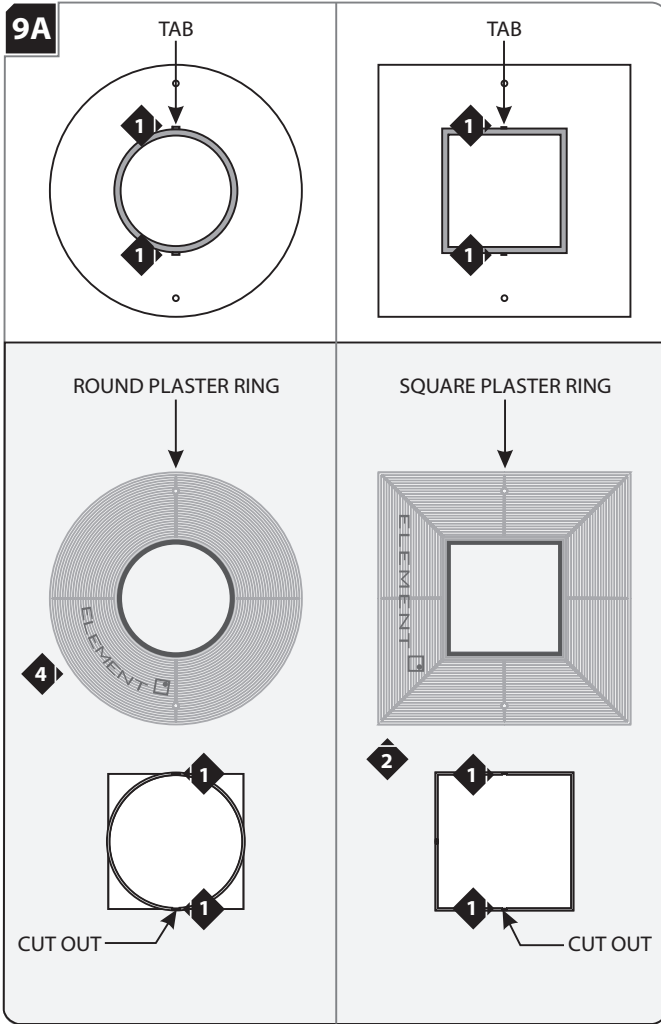
- 1 For round trims, mark a 3-7/8" diameter circle on drywall. Cut out the marked section.
For square trims, mark a 3-7/8" square on drywall. Cut out the marked section.



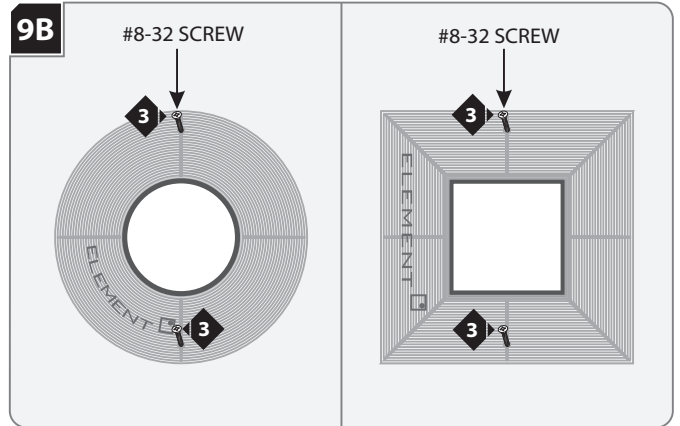
- 2 Align the cut out section of drywall with the trim holder and install the drywall.

WARNING: Risk of Fire: The housing is not intended to be in contact with or covered with combustible materials and insulation. Do not install insulation within 3 inches of the housing sides or above in such a manner to entrap heat.

Install the Plaster Ring (for Flangeless Versions)

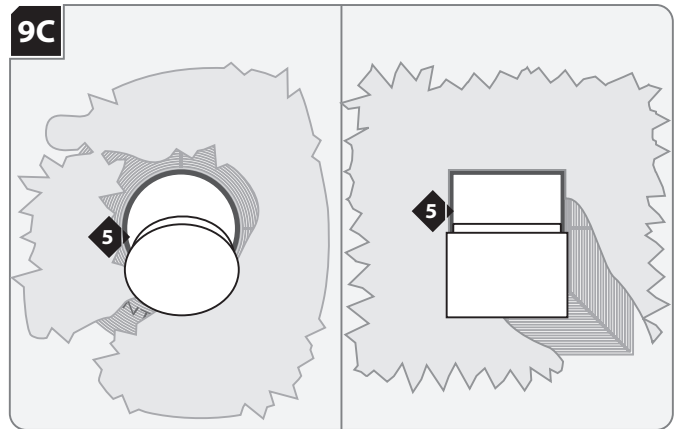


- 1 Line up the two tabs in back of the plaster ring with the two cut out sections of the trim holder inside edge.
- 2 Push the plaster ring tabs into the cut out sections of the trim holder edge.

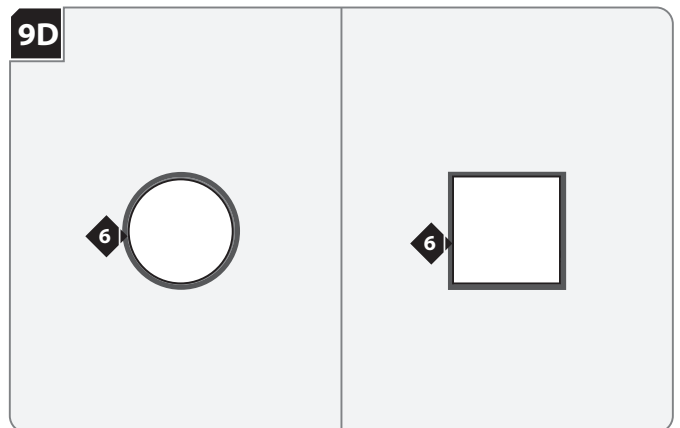


- 3 Secure the plaster ring in place with the two provided flat head #8-32 screws. Make sure that the screws penetrate through the drywall into the housing screw holes.

NOTE: Do not overtighten the screws!
Overtightening may bend the plaster ring, causing the plaster surface to come away from the drywall.



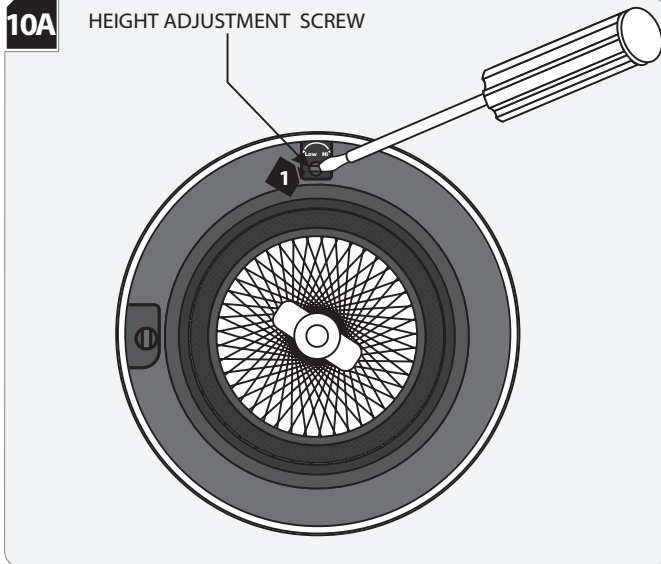
- 4 Plug the trim holder with the provided dust shield.
- 5 Properly plaster onto the plaster ring and drywall.



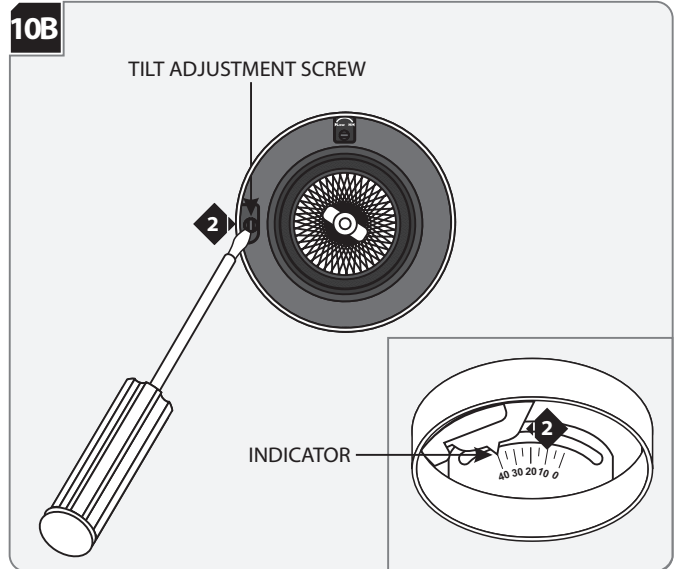
- 6 Finish around the trim to match drywall.

Adjust the Lamp Housing

NOTE: The location of the height adjustment screw is indicated with the words Low and Hi.

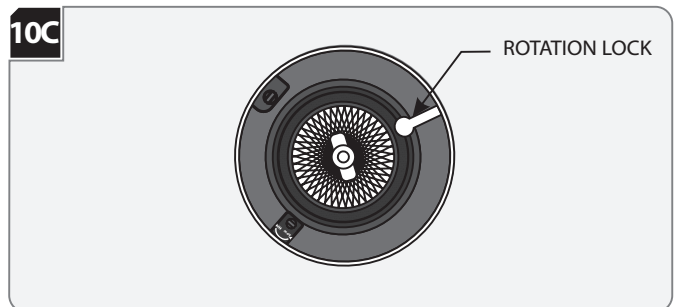


- 1** To adjust the height rotate the height adjustment screw. Adjust upward to minimize glare and flash on the trim or downward for maximum light output and efficiency.



NOTE: Lamp housing can tilt 40° vertically. Lines on lamp housing are 5° apart.

- 2** To tilt the lamp housing, rotate the tilt adjustment screw until the desired angle is reached.



NOTE: Lamp housing can rotate 361° horizontally.

- 3** Pull the rotation lock down to unlock the lamp housing.
- 4** Rotate the lamp housing horizontally. When the desired position is achieved push the rotation lock up to lock the lamp housing in place.